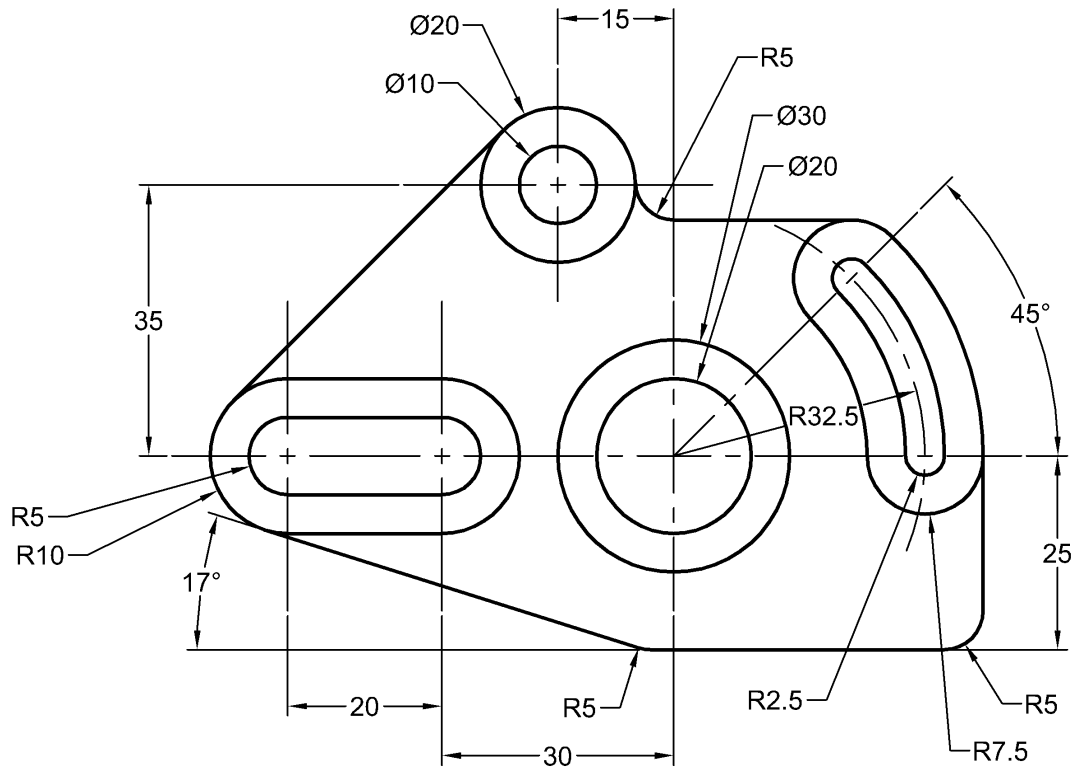


Errata

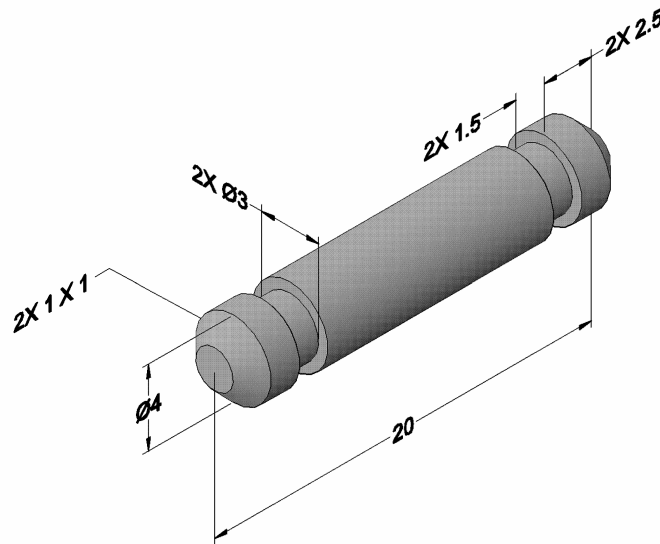
Engineering Graphics Essentials with AutoCAD 2008 Instruction

P1-8)



- Page P3-55 and 3-56: The completed auxiliary view should not have a hidden line going through the circle.

- P12-11: Part#3 (Pin) is not completely dimensioned.



- P12-16: Draw and dimension Part#3 (Pin), not Part#4.
- APPENDIX B: The odd number pages should be labeled with a B and not a D.